

◆ Battery level indicator

Two colors to indicate the power level of battery:
When the indicator light is Green,the battery is full.
When the indicator light is red, the battery is low.

◆ Warnings

- 1.Only use 18650 Lithium batteries provided by the manufacturer.
- 2.Do not open the tail cap when the remote control is in the water.
- 3.If the remote control will not be used for a long time, the battery should be removed.

Failure to comply with these warning may result in damage to the remote control and will nullify the warranty.

◆ To install the battery

1. Turn the tail cap counter -clockwise to open.
2. Put the 18650 Lithium battery into the battery compartment.

Note: Look at the label located on the inside of the battery compartment , make sure to align the positive and negative ends of the battery with the positive and negative terminals on the tail.

- 3.Turn the tail cap clock wise to reattach the tail cap to the battery compartment of remote control.

◆ To charger the battery

1. To charge the battery with the USB cable.
2. The power can be able supplied by USB (5V Maximum 2A).
3. When the battery begins to charge that the indicator light on the battery will be **RED**.
4. When the battery is fully charged the indicator on the battery will be **BLUE**.

◆ Warranty

Kraken provides a warranty against manufacturer defects for 1 year starting from the date of purchase. Manufacturer defects occurring within 15 days of the date of purchase will result in an exchange of product at the vendor. All other manufacturer defects occurring within 1 year of date of purchase will be repaired at no cost. Proof of purchase is required for warranty support. The warranty does not cover failures or defects resulting from misuse (e. g. modification, damage) natural disasters, or battery issues,including incorrect battery installation.

◆ Trouble Shooting

Symptom	Solution
No working	<ol style="list-style-type: none">1.Make sure setting knob is match the correct device.2.After finished setting with device, setting knob must switch to L1 or L2 or L1/L23.If you don't know your device (video light) belong to which serial number,please try "LTD" or "H" setting.
Factory reset	<ol style="list-style-type: none">1.Rotate the setting knob to "H"/Rotate the mode knob to A/7.2.When remote control is off, long press the ON/OFF button for 5 seconds,then device and battery indicator both begin blink red, final short press the ON/OFF button.

◆ General maintenance

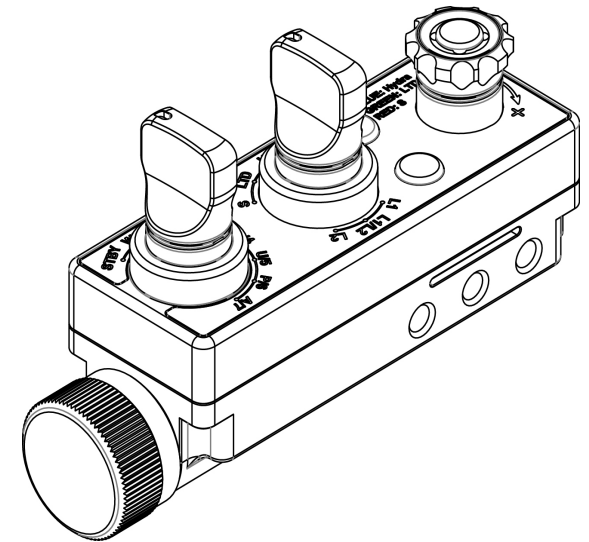
There are two O-rings in the tail. Use silicone to keep the O-rings well lubricated. It is important to lubricate the O-rings if the remote control has not been used in a long time or if the O-ring is hard. If the O-ring is damaged, broken or deformed it should be replaced with the spare.

NOTE: Do not use a sharp tool to remove the O-rings.



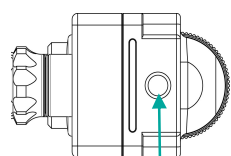
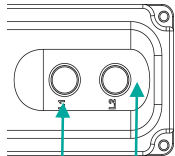
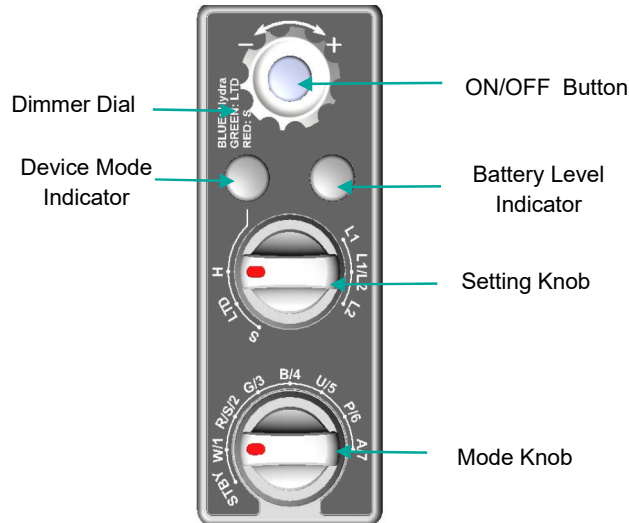
RC-02 Remote V2

Remote Control



Please read the manually carefully before using the remote control

◆ Components



L1 Remote Port
L2 Remote Port

M1/4-20 x 7

Device Mode Indicator:

Blue: Hydra serial video light

Green: LTD & Solar Flare Mini serial video light

Red: KR-S160/KR-S80

L1: Control the device of L1 port with fiber optic.

L1/L2: Control the devices of L1&L2 port with fiber at the same time

L2: Control the device of L2 port with fiber optic.

Mode Knob:

STBY: Standby Mode

W/1: White Light / Strobe Power Level

R/S/2: Red Light / Spot Light/Strobe Power Level

G/3: Green Light / Strobe Power Level

B/4: Blue Light / Strobe Power Level

U/5: UV Light / Strobe Power Level

P/6: RGB Mode / Strobe Power Level

A/7: Automatic RGB / Strobe Power Level

◆ To turn the remote control ON/OFF

Turn ON: Press the ON/OFF button and hold it for two seconds located on the middle.

Turn OFF: Press the ON/OFF button and hold it down for two seconds.

Important noted: Please confirm your device serial number before using the remote control, If serial number is from KR-00001 to KR-45680, please switch the Setting Knob to "LTD", If serial number is from KS-00001, please switch the Setting Knob to "H".

◆ Device serial number is from KR-00001 to KR-45680, setting the device to work with the remote control:

1. When turn on the remote control, rotate the setting knob to "LTD", and the device mode indicator will show blink green, then short press the ON/Off button, then blink green will be stopped and show green.

2. Then switch setting knob to L1 or L2 or L1/L2 (Attention fiber optic connect with which remote port).

To switch modes (White / Red / Green / Blue / UV / RGB mode/Automatic RGB)

While the light is on, press and immediately release the ON/OFF button. White → Red → Green → Blue → UV → RGB → Automatic RGB → White

Adjusting the brightness in White / Red / Green / Blue / UV mode

Rotate the dimmer dial clockwise/counter clockwise to adjust the brightness.

Adjusting the color in RGB mode: While in RGB mode, rotate the dimmer dial to cycle through the different colours.

Standby Mode: Hold the ON/Off button for 2 seconds.

◆ Device serial number is from KS-00001, setting the device to work with the remote control:

1. When turn on the remote control, rotate the setting knob to "H", and the device mode indicator will show blink Blue, then short press the ON/Off button, after then blink blue will be stopped and show blue.

2. Then switch setting knob to L1 or L2 or L1/L2 (Attention fiber optic connect with which remote port).

To switch modes (STBY / White / Red / Green / Blue / UV / RGB mode / Automatic RGB)

While the light is on, rotate Mode Knob clockwise/counter clockwise to switch the model: STBY → White light → Red → Green → Blue → UV → RGB → Automatic RGB

Adjusting the brightness in White / Red / Green / Blue / UV mode

Rotate the dimmer dial clockwise/counter clockwise to adjust the brightness.

◆ Setting the KR-S160/KR-S80 to work with the remote control:

1. When turn on the remote control, rotate the setting knob to "S", and the device mode indicator will show blink Red, then short press the ON/Off button, after then blink red will be stopped and show red.

2. Then switch setting knob to L1 or L2 or L1/L2 (Attention fiber optic connect with which remote port).

Adjusting the strobe power:

While the strobe is turn on, rotate Mode Knob clockwise/counter clockwise to switch the model: STBY → 160 → 80 → 40 → 20 → 10 → 5 → 2

Adjusting the brightness Spot:

While the Spot is on, press and immediately release the ON/OFF button: 100%-50%-0%-100%

Minor adjustment: Rotate Dimmer Dial:

7 Levels	Minor adjustment
160Ws	(0,-1,-2,-3,-4,-5,-6,-7,-8,-9,)
20Ws,40Ws,80Ws	(-9,-8,-7,-6,-5,-4,-3,-2,-1,0,+1,+2,+3,+4,+5,+6,+7,+8,+9)
2Ws,5Ws,10Ws	