

◆ **To charge the battery**

1. To charge the battery, use the USB-C PD charger included with your light.
2. Use the ports labelled USB-C1 or USB-C2 to charge the battery. Two batteries can be charged simultaneously. **Note:** Use of port USB-A while charging two batteries may cause charging to slow or stop.
3. When the battery begins to charge the indicator light on the battery will be RED.
4. When the battery is fully charged the indicator light on the battery will change to BLUE.

◆ **Battery level indicator**

There are four colors to indicate the amount of power remaining in the battery and the function modes.

Blue	approx. 100%~80%
Green	approx. 80%~30%
Red	approx. 30%~10%
Single Blinking Red	approx. 10%~0%
Dual Blinking	The current mode is Burst Mode

◆ **Low battery warning**

When the battery level is low (approximately 10 minutes remaining) the video light will automatically decrease the brightness of the light to conserve power. When the battery is empty, the light will power off.

◆ **Thermal protection**

If the internal temperature of video light becomes too high the video light will automatically decrease the brightness of the light.

◆ **General maintenance**

There are two O-rings in the tail cap. Use silicone to keep the O-rings well lubricated. It is important to lubricate the O-rings if the video light has not been used for a period of time, or if the O-ring is hard. Only use enough lubrication to make the O-ring shine, too much can attract dirt. If the O-ring is damaged, broken, or deformed it should be replaced with the spare included with your video light.

**NOTE: Do not use a sharp tool to remove the O-ring.**

◆ **Overview**

The Hydra 4000 WRGBU is a metal bodied diving video light with

◆ **Warnings**

1. Only use Li-ion battery pack provided by the manufacturer.
  2. Do not open the tail cap when the video light is in the water.
  3. If the video light will not be used for a long period of time, the battery should be removed.
- Failure to comply with these warnings may result in damage to the video light and nullify the warranty.

◆ **Warranty**

Kraken provides a warranty against manufacturer defects for 1 year starting from the date of purchase. Manufacturer defects occurring within 15 days of the date of purchase will result in an exchange of product at the vendor. All other manufacturer defects occurring within 1 year of the date of purchase will be repaired at no cost. Proof of purchase is required for warranty support. The warranty does not cover failures or defects resulting from misuse (e.g., modification, damage) natural disasters, or battery issues, including incorrect battery installation.

◆ **Troubleshooting light issues**

Before returning the light to the vendor, please troubleshoot by doing the following:

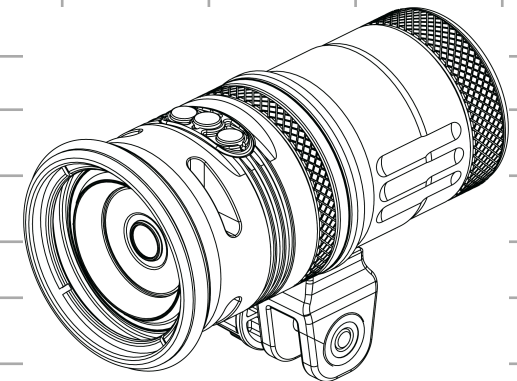
<b>Problem</b>	<b>Possible Solution</b>
The video light does not turn on	* Ensure the battery is charged * Ensure the tail cap is tightly screwed to the light head
Moisture or water inside video light	Check the O-rings in the tail cap to ensure there is no debris or damage that could prevent a proper seal

◆ **Specifications**

Battery	4 x 21700 Li-ion battery pack (5000mAh) with Type-C USB Charging
---------	--



**LTD 10000**  
Diving Video Light

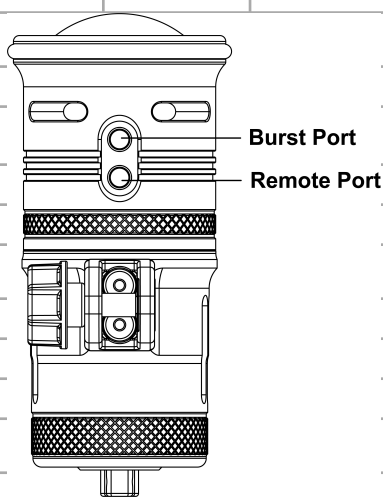
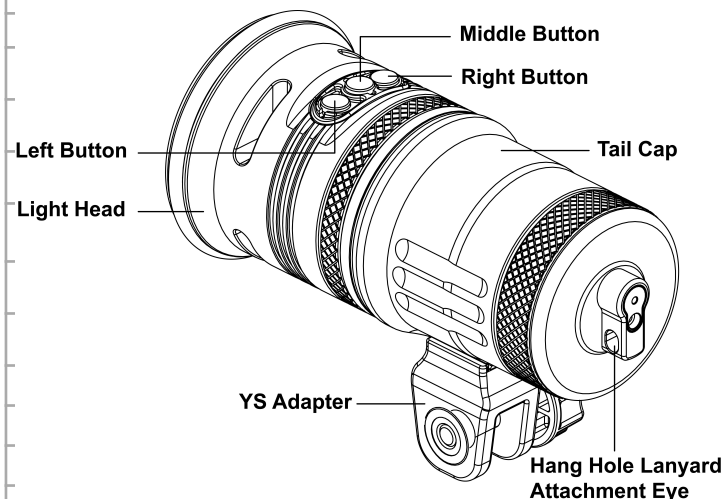


Please read the manually carefully before using the video light

**Burst modes (Wide / Spot )**

When the light is on, press and hold the left button for **ONE** second to enter burst mode at the same mode and power levels. Press and hold the left button once again to exit burst mode and return to

COB LED (4000 lumens constant / 6000 lumens burst) .



◆ **Accessories included**

- Li-ion battery pack with protection cap
- Charger/AC adapter
- USB type C cable
- YS mount
- Ball Mount
- Spare O-ring x2
- Black hand rope lanyard

Battery	Rechargeable with type C USB charging Port
Brightness	White Light: 10000 lumens@CRI 90 constant /10000 lumens burst
Function Modes	Wide / Spot / Burst / Flashing signal / SOS
Wide / Spot Power Level	5 levels Wide and 3 levels Spot
Beam Angle	White light: 120 degrees on land / 120 degrees underwater
Burn time	40 minutes (at Wide 100% brightness)
LED Life	Over 50,000 hours
Depth Rating	100m / 330ft
Size	73 mm (D) * 156 mm (L)
Weight	910g on land including battery 430g underwater including battery

◆ **To operate the light**

**Turning the light ON:**

Press the right and left buttons at the same time and hold down for **ONE** second to unlock the light, then immediately press and release the middle button to turn the light on. When the light is turned on it will be in the white light mode at 100% brightness.

**Turning the light OFF:** Press the right and left buttons at the same time and hold down for **TWO** seconds.

**To switch modes (Wide / Spot)**

Wide light is on, press and immediately release the ON/OFF (middle) button. The light will switch from Wide → Spot → Wide

Hold the left button once again to exit burst mode and return to continuous lighting.

**Adjusting the brightness in Wide / Spot (Continuous and Burst Mode)**

When the white light is on: Press and immediately release the left or right button to reduce or increase the brightness(Wide: 100%-80%-60%-40%-20%, Spot: 100%-50%-25%).

**Flashing signal mode (White):**

When the light is on, press and hold the right mode for **ONE** second to enter flashing signal mode . Press and immediately release the right button to exit flashing signal mode.

**To turn on SOS/Strobe:**

When the light is **OFF**: Press the right and left buttons at the same time and hold down for **TWO** seconds to enter SOS mode.

**To turn off SOS/Strobe:**

Press the right and left buttons at the same time and hold down for **TWO** seconds to turn off SOS mode.

**Sleep mode:**

We have also introduced sleep mode, which will let you temporarily and quickly turn the light off and back on to previous power level. To access sleep mode, when the light is on, press and hold the middle button for **TWO** seconds, the light will turn off. Press and hold the middle button again for **TWO** seconds to stop sleep mode and turn the light back on to the same power level as before.

◆ **To install the battery**

1. Twist the tail cap counter-clockwise to open.
2. Put the battery pack in the tail cap.

**Note: When inserting battery, contact rings on battery must be facing light head.**

3. Twist the tail cap clockwise to reattach the tail to the head of the video light.